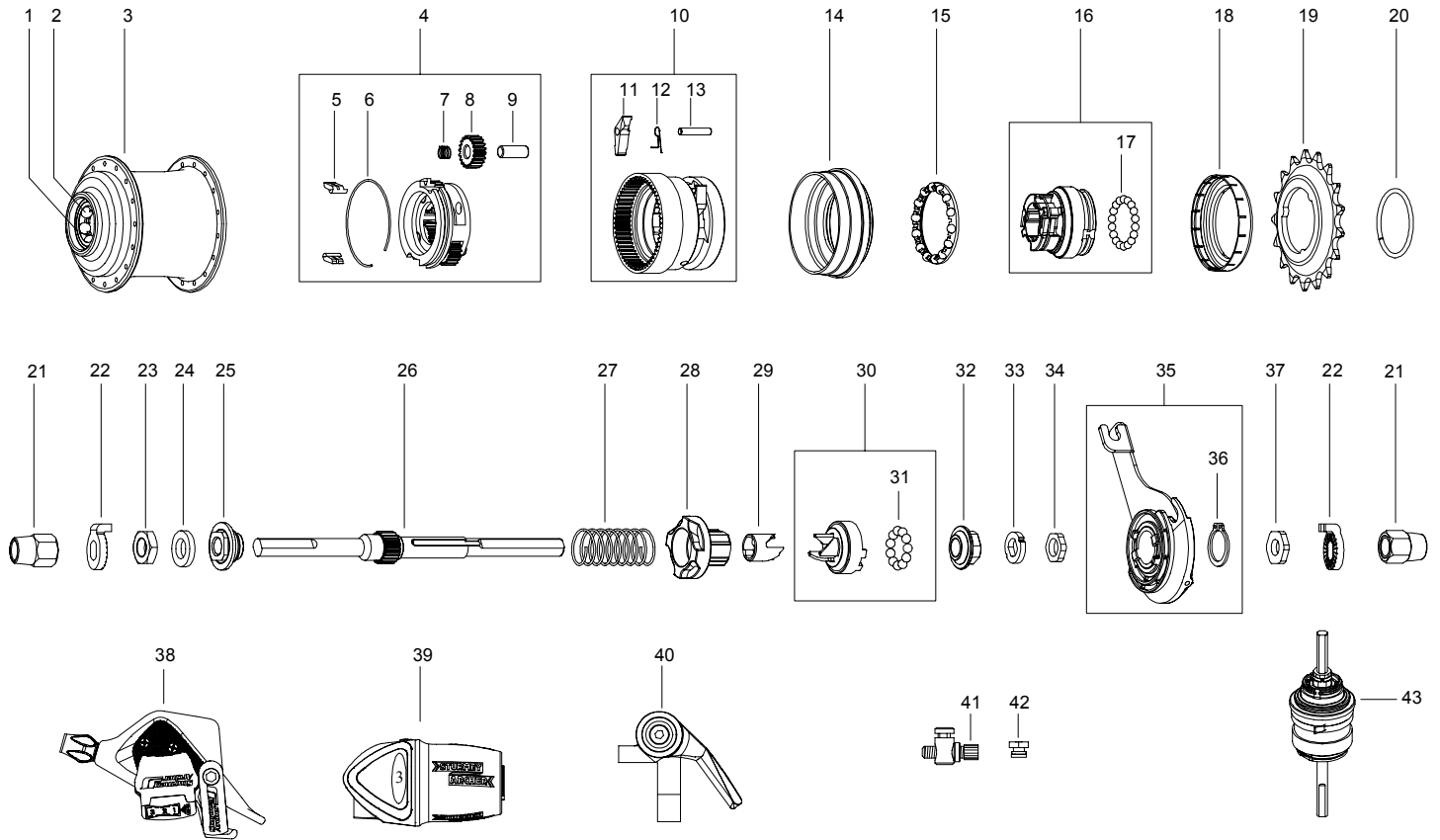


Part List: RS-RF3_{A1} Rotary Three Speed Hub



Item Sales

No.	No.	Description
1	HSA102	Outer Dust Cap
2	HSA284	Ball Cage Assembly – 6.4mm Ball
3	HSA887	RS-RF3 Hub Shell Assembly
4	HSA701	Planet Cage Assembly
5	HSA573	Pawl for Planet Cage
6	HSA450	Pawl Spring Circlip
7	HSA702	Pinion Pin Spring
8	HSA292	Planet Pinion
9	HSA436	Pinion Pin
10	HSA703	Gear Ring Assembly
11	HSA119	Gear Ring Pawl
12	HSA120	Pawl Spring
13	HSA415	Pawl Pin
14	HSA584	Ball Ring
15	HSA438	Ball Cage Assembly
16	HSA704	Driver Assembly
17	HSA520	5/32" Ball Bearing – 18 off
18	HSL904	Plastic Sprocket Dustcap
19	HSL827	Sprocket 17T (Chrome)
	HSL924	Sprocket 18T (Chrome)
	HSL965	Sprocket 19T (Chrome)

Item Sales

No.	No.	Description
20	HSL721	Sprocket Circlip
21	HMN387	Dome Nut 3/8"
22	HMW521	Lockwasher for Reversed/Standard End
	HMW530	Lockwasher for Reversed/Standard End (Xylan)
	HMW558	Lockwasher for Vertical End
23	HMN408	Cone Locknut (3/8"-5mm)
24	HMW146	Spacing Washer 1/16"
25	HSA888	Cone – 3/8"
26	HSA706	Axle
27	HSA707	Clutch Spring
28	HSA708	Clutch
29	HSA709	Shift Cam
30	HSA710	Shift Actuator Assembly
31	HSA705	3/16" Ball Bearing – 11 off
32	HSA711	R/H Cone
33	HMW540	Indicator Washer
34	HMN137	Cone Locknut
35	HSJ932	Fulcrum Lever Set for Reversed (horizontal)/Vertical End

Item Sales

No.	No.	Description
HSJ220		Fulcrum Lever Set (Nordic type) for Reversed (Horizontal)/Vertical End
HSJ221		Fulcrum Lever Set for Standard (Angled) End
HSJ222		Fulcrum Lever Set (Nordic type) for Standard (Angled) End
HSJ223		Fulcrum Lever Set (Bended 7°, Nordic type) for Reversed (horizontal)/Vertical End
36	HSL903	C-clip No.18
	HSL204	C-clip No.18 (Stainless)
37	HMN406	Nut 3/8"
38	HSJ940	DLC34 Shifter w/Cable
39	HSJ976	TSC30 Shifter w/Cable
40	HSJ216	SLC30(T-type) Shifter w/Cable
	HSJ217	SLC30(H-type) Shifter w/Cable
41	HSL872	Shifter Adjuster Assembly
42	HSL977	Rotary Cable Anchorage
43	HSX153	Gear Internal Assembly Complete
36	HSL903	C-clip No.18